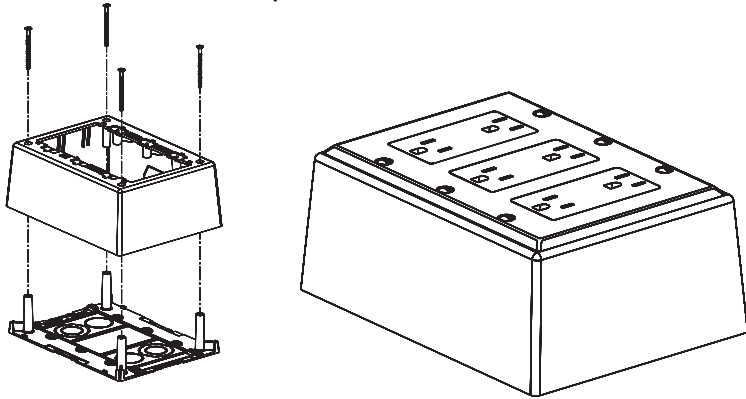
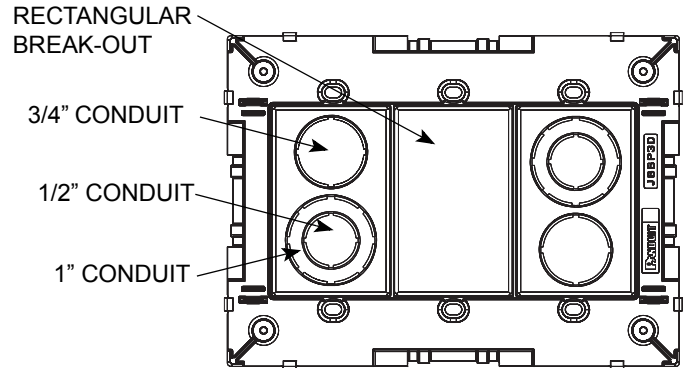


JBP3D

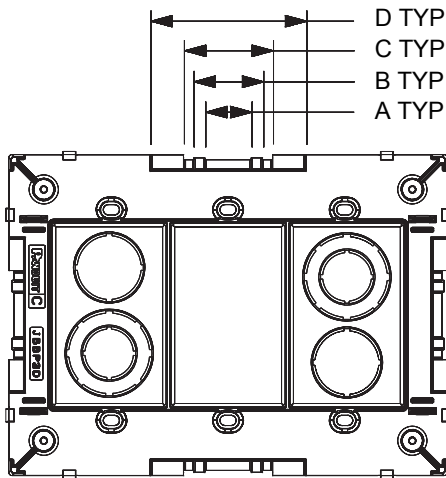
TYPICAL APPLICATION (CAN BE USED FOR POWER OR DATA)



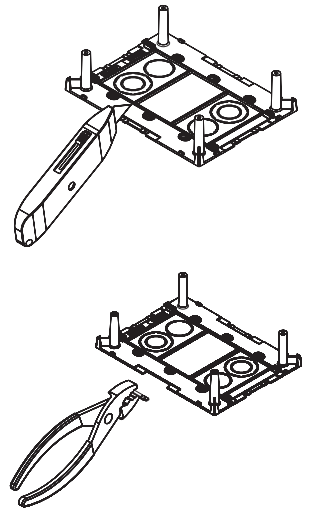
BACKFEED BREAK-OUTS



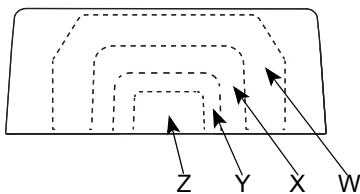
RACEWAY BREAK-OUTS



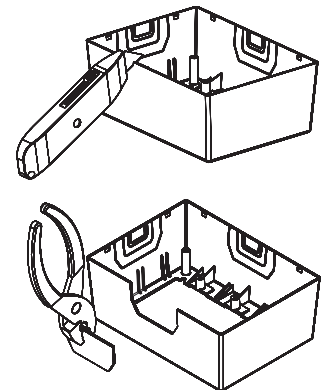
Base Breakout	Raceway
A	LDPH3, LDS3, LD3, PD3
B	LDPH5, LDS5, LD5, PD6
C	LDPH10, LD10
D	T45



COVER BREAK-OUTS



Cover Breakout	Raceway	Adapter
W	T45	NO
X	LDPH10, LD10	NO
	PD3	BA3
Y	PD6	BA6
	LDPH5, LDS5, LD5	NO
Z	LDPH3, LDS3, LD3	NO



For Instructions in Local Languages
and Technical Support:

www.panduit.com/resources/install_maintain.asp

PANDUIT

www.panduit.com

E-mail:
cs@panduit.com

Fax:
(708) 444-6993