

PANDUIT PART NUMBER	STUD SIZE	DIMENSIONS - in [mm]				
		A ± .03 [0,8]	W ± .01 [0,3]	C ± .02 [0,5]	M ± .03 [0,8]	H ± .01 [0,3]
P2-10R	#10	1.46 [37,1]	.68 [17,3]	.58 [14,7]	1.12 [28,5]	.20 [5,1]
P2-14R	1/4"	1.46 [37,1]	.68 [17,3]	.58 [14,7]	1.12 [28,5]	.27 [6,9]
P2-56R	5/16"	1.46 [37,1]	.68 [17,3]	.58 [14,7]	1.12 [28,5]	.33 [8,4]
P2-38R	3/8"	1.46 [37,1]	.68 [17,3]	.58 [14,7]	1.12 [28,5]	.39 [9,9]
P2-12R *	1/2"	1.55 [39,4]	.86 [21,8]	.58 [14,7]	1.12 [28,5]	.52 [13,2]

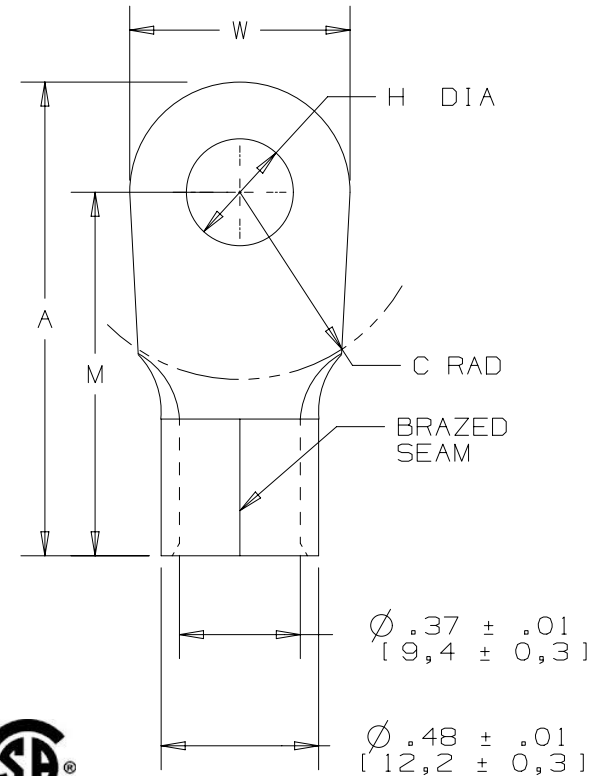
*P2-12R NOT CSA CERTIFIED

NOTES:

- UL LISTED AND CSA CERTIFIED FOR:
 - A. #2 AWG STRANDED COPPER WIRE
 - B. 302°F (150°C) MAX OPERATING TEMP
 - C. 2000 VOLTS MAX
- SEE WWW.PANDUIT.COM FOR PACKAGE QUANTITIES
- MATERIAL:
 - A. STAMPING - .060" [1,52] THK COPPER, TIN PLATED
- DIMENSIONS IN BRACKETS ARE IN MILLIMETERS
- WIRE STRIP LENGTH: $7/16" \begin{matrix} +1/32 \\ -0 \end{matrix} [11,1mm \begin{matrix} +0,8 \\ -0 \end{matrix}]$

UL & CSA TOOLS (DIES)

CT-1701 (P2)
CT-2600 (CD-2600-P2)



LISTED
587H
E52164



CERTIFIED
LR31212

TITLE		#2 BARREL NON-INSULATED RING TONGUE	
		CUSTOMER DRAWING	
ITEM REVISION NAME		N41212BB/08	
DATASET FILE NAME		N41212BB/08	
UNLESS OTHERWISE SPECIFIED, DIMENSIONAL TOLERANCES ARE: IN [mm]		MATERIAL: SEE NOTES	
.X ± .XX ±		.XXX ± ANGLES ±	
DRAWN BY		SCALE	
DAW		NONE	
DATE		SHT 1 OF 1	
CHK		SIZE	
RLS		A	
THIRD ANGLE PROJECTION		DRAWING NUMBER: A41212	

REV	DATE	BY	CHK	APR	DESCRIPTION	ECN
08	5/17	JHNU	TMR	RGB	ADDED VOLTAGE RATING	N41212BB-A41212
07	07/15	TMR	TMR	RGB	ADDED CT-2600 TO PKG LABEL, CSA BACK TO DWG, UPDATED DIES	N41212BB-A41212
06	07/14	MBY	JHNU	RGB	REVISED NOTES, MOVED TOOLS TO TABLE, REVISED CERTIFICATION, UPDATED BORDER	N41212BB-A41212

D10100DA/16