

Crydom

See full Datasheet below...

onlinecomponents.com
THE ONLINE DISTRIBUTOR OF ELECTRONIC COMPONENTS

BUY NOW

 **MASTER**TM
E L E C T R O N I C S

BUY NOW

masterelectronics.com & onlinecomponents.com
are **authorized** e-commerce distributors
of electronic components.

crydom[®]

LifePlus

ED Series



The Global Expert in **Solid State Relay** Technology

ABOUT US

Crydom, a brand of Custom Sensors & Technologies (CST) and **global expert in Solid State Relay Technology**, has a distinguished record of providing high quality, world class Solid State Relay and Control Products for a variety of heating, lighting and motion control applications. Crydom products, coupled with **unparalleled technical support, timely delivery and competitive pricing**, provide Crydom's clients with the innovative products and support necessary to succeed in today's competitive and fast paced global markets.

Crydom's extensive selection of standard off-the-shelf products is constantly being updated and expanded through its continuous improvement and aggressive new product development programs. Utilizing state of the art designs, materials and technology, Crydom offers a wide range of AC and DC output SSRs in industry standard Panel Mount, PCB Mount and DIN Rail packages, all **meeting global safety and standards agency requirements** such as CE, RoHS, UL, IEC, etc.

Bolstered by four decades of Solid State Relay operations experience, Crydom also specializes and encourages **adapted and fully custom-designed SSR products** for nearly any application where unique specifications and optimized performance are critical for success.

Crydom's modern purpose-built **100,000 square foot manufacturing facility** houses all aspects of its ISO certified operation including Design and Development Engineering, Manufacturing Operations and Quality Assurance, Customer Service, Finance, Marketing and General Management, permitting close coordination of all aspects of Crydom's activities. Applications Engineering and Sales support are both performed in the field to provide Crydom's Customers with the unparalleled technical and commercial support.

Following rigid design guidelines and standards, Crydom products have set the bench mark for SSR performance and reliability world wide. In addition to **award winning designs**, Crydom has acquired an impressive list of **patents** related to SSRs and Solid State Controls, while continuing to develop new circuit and technology-related inventions as part of **extensive R&D programs**.

To learn more about Crydom SSR technology and products, or how an alliance with Crydom can contribute to the success of your project, visit **www.crydom.com** or contact your authorized Crydom Distributor or Crydom Customer Service Representative today.

DIN RAIL OR PC MOUNTED PLUG-IN SOLID STATE RELAYS & SOCKETS "LIFEPLUS ED SERIES" PLUG IN SOLID STATE RELAYS

Crydom's new "**LifePlus ED Series**" of AC and DC Output Plug-in Solid State Relays are designed to replace industry standard 12 x 29 mm plug-in Electromechanical Relays. Crydom's proven Solid State Relay Technology offers substantial performance advantages over traditional EMR switching solutions in many applications including significantly greater life expectancy (>100 million operations), contactless high speed switching which eliminates contact bounce, arcing and resulting electrical noise, precise low power logic compatible control inputs, acoustically silent operation and high shock and vibration resistance.

Available in a SPST N.O. configuration, the "**LifePlus ED series**" offer output ratings of either 3 or 5 Amps rms at 24 to 280 VAC, or 5 Amps DC at 1 to 48 or 1 to 80 VDC, all at 40 °C ambient temperature. AC outputs incorporate Crydom's proven Back-to-Back SCR technology while DC outputs utilize high efficiency FETs, both technologies resulting in the lowest possible on-state power dissipation and high surge current ratings which makes the "**Crydom LifePlus**" an excellent choice for applications such as small Motors, Solenoids, Heaters and Lamps. Optically isolated control inputs available include 3 to 15 VDC, 18 to 32 VDC, 48 to 72 VDC, 18 to 36 VAC and 90 to 140 VAC.

Crydom's "**LifePlus ED Series**" are UL 508 recognized for both general purpose and motor control applications and compliant to IEC 62314 LC-A resistive and LC-B inductive application requirements. They are also CE certified to the IEC Low Voltage Directive and compliant to the IEC EMC directive.

"LIFEPLUS ED SERIES" DIN RAIL AND PCB MOUNT ACCESSORY SOCKETS

The "**LifePlus ED Series**" includes accessory sockets accepting the Crydom **ED Series** SSRs and industry standard 12 x 29 mm plug-in relay packages. One version socket fits standard 35 mm DIN rail while a second version is PCB mountable, allowing direct replacement of SPST N.O. EMRs in both type installations. Equipped with screws for wire termination and a positive latch for relay retention, the "**LifePlus ED Series**" sockets provide an easy means to install and utilize Crydom **ED Series** Solid State Relays.

Featuring all solid state construction, "**LifePlus ED Series**" SSRs and Sockets provide an excellent improvement in performance over traditional EMRs. For more information on "**Crydom LifePlus**" Series SSRs, contact the nearest Crydom Distributor, Representative or Local Crydom Sales Office, or visit our website at www.crydom.com.



ED Series AC Output Pluggable SSRs

- 12 x 29 mm industry standard plug-in package
- 3 & 5 Amps output power rating available
- 3 to 15 VDC, 18 to 32 VDC, 48 to 72 VDC, 18 to 36 VAC & 90 to 140 VAC control input options available
- Plug in replacement of EMRs
- Convenient Quick Connect terminals for PCB or direct wiring
- Fits standard DIN rail & PCB mountable sockets, also available as accessories
- UL & IEC Resistive/Motor Ratings available
- LED input status indicator
- Zero Voltage for resistive loads and Random Turn-On for inductive loads versions available

Output Specifications (A)

	ED24x3	ED24x5
Operating Voltage Range (47-63 Hz) [Vrms]	24-280 VAC	
Transient Overvoltage [Vpk]	600	
Maximum Off-State Leakage Current @ Maximum Operating Voltage [mA]	0.1	
Minimum Off-State dv/dt @ Maximum Rated Voltage [V/μsec]	500	500
Maximum Load Current [Arms]	3	5
Minimum Load Current [Arms]	150 mA	
1 Cycle Surge Current (50/60 Hz) [Apk]	240 / 250 (B)	600 / 625 (A)
Maximum Pt for Fusing (50/60Hz) [A² sec]	285 / 260	1780 / 1620
Maximum On-State Voltage Drop @ Rated Current [Vpk]	≤1.1	
Minimum Power Factor (with Maximum Load)	0.5	
UL 508 Resistive Load @ 280 VAC [Arms]	3	5
UL 508 Motor Controller @ 240 VAC [HP]	¼	½
IEC 62314 LC-A @ 280 VAC [FLA]	3	5
IEC 62314 LC-B @ 240 VAC [Kw]	0.37	0.55

Input Specifications (A)

	ED24Dx	ED24Cx	ED24Fx	ED24E5	ED24B5
Control Voltage Range	3-15 VDC	18-32 VDC	48-72 VDC	18-36 VAC	90-140 VAC
Minimum Turn-On Voltage	3 VDC	18 VDC	48 VDC	18 VAC	90 VAC
Must Turn-Off Voltage	1.9 VDC	10.5 VDC	24 VDC	10 VAC	48 VAC
Maximum Reverse Voltage [VDC]	6				
Minimum Input Current (for on-state)	3.8 mA @ 3 VDC	3.8 mA @ 18 VDC	3.8 mA @ 48 VDC	3.8 mA @ 18 VAC	3.2 mA @ 90 VAC
Maximum Input Current	33.8 mA @ 15 VDC	6.9 mA @ 32 VDC	5.8 mA @ 72 VDC	8.5 mA @ 36 VAC	4.9 mA @ 140 VAC
Nominal Input Impedance [Ohm]	500	4.8 K	12.5 K	4.5 K	28 K
Maximum Turn-On Time [msec] (Zero Voltage)	1/2 Cycle (C)				
Maximum Turn-Off Time [msec]	1/2 Cycle (D)				

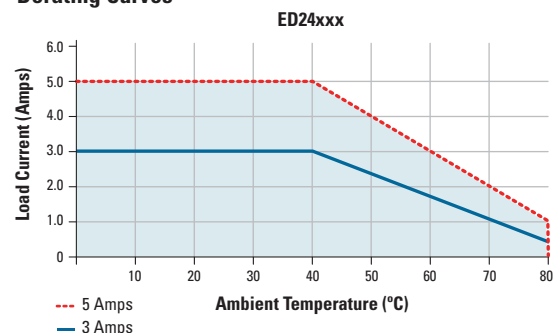
General Specifications (A)

	ED24x3	ED24x5
Dielectric Strength, Input to Output to Base (50/60Hz) [Vrms]	3750	
Minimum Insulation Resistance @ 500 VDC	10 ⁹	
Maximum Capacitance, Input to Output [pF]	10	
Ambient Operating Temperature Range [°C]	-30 to 80	
Ambient Storage Temperature Range [°C]	-40 to 125	
IP ratings	IP00 / IP10 when mounted in PCBSED / DRSED socket or equivalent	
Housing Material	PBT 30% GF, UL 94 V0	
Terminal Finish	Sulfamate Nickel	
LED Status Indicator for Control Input	On: Green	
Weight (typical) [oz] (gr)	0.705 (20)	1.06 (30)
Humidity	5 to 85% HR	
Terminal type / size [in] (mm)	Quick Connect / 0.187 x 0.02 (4.75 x 0.51)	

General Notes

- (A) All parameters at 25°C unless otherwise specified.
 (B) T_j = 25°C, time: 20 msec. (50 Hz) / 16.6 msec. (60 Hz).
 (C) Turn-On time for Random-type AC Output (R suffix) is 0.1 msec for DC Control Models, and for AC Control Models is 20 msec.
 (D) Turn-Off Time for AC output versions with AC control is 30 msec.
 (E) UL ratings are for relays only. To achieve maximum ratings, there must be a minimum spacing of 0.67 in (≥17 mm) between the devices in free air.
 (F) 100% Duty Cycle.

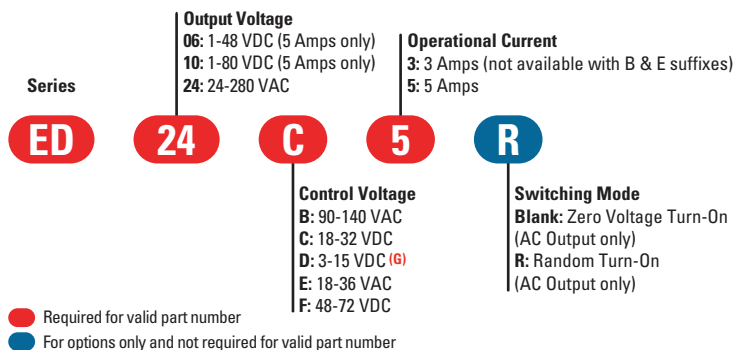
Derating Curves (E,F)



ED Series

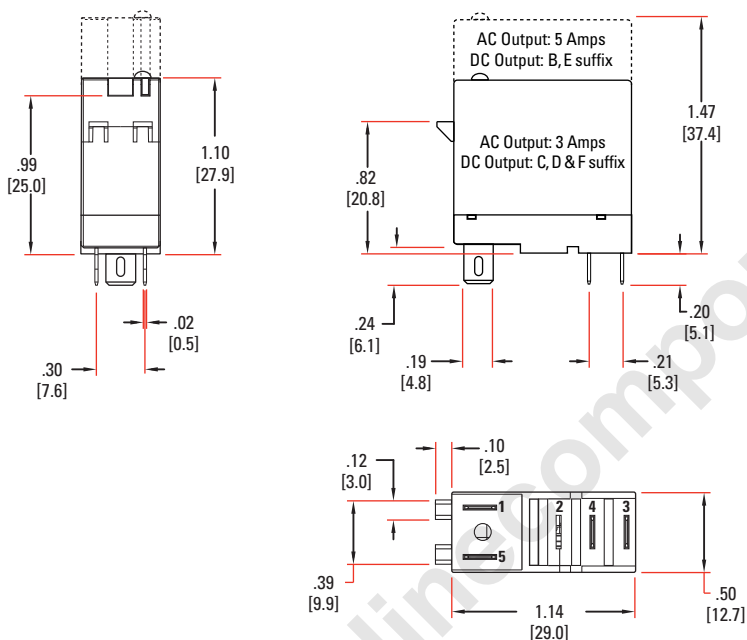


Part Number Nomenclature



Mechanical Dimensions

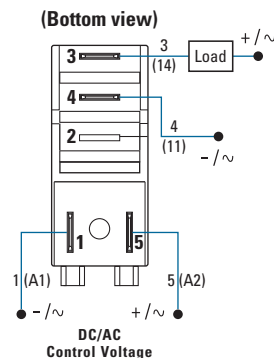
Tolerances: ±0.02 in / 0.5 mm
All dimensions are in: inches [millimeters]



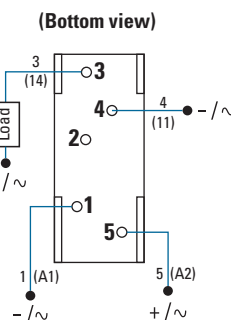
- (G) 5-15 VDC range for ED06/10D5
- (H) DC inductive loads must be diode suppressed.
- (J) No grounding required.
- (K) For sockets intended for AC input control voltage, the AC line can be wired to either DRSED socket terminal 1 (A1-) or terminal 5 (A2+). Proper polarity must be observed for DC input control voltage sockets being terminal 5 (A2+) positive with respect to terminal 1 (A1-).
- (L) For AC loads, the AC line can be wired to either DRSED socket terminal 4 (11) or terminal 3 (14). The AC load may also be wired on either the line or neutral side of the SSR. For DC loads, the proper polarity must be observed for the power supply, load and DRSED socket with terminal 3 (14) being positive with respect to terminal 4 (11).
- (M) Minimum wire strip length 0.197 in (5 mm), maximum 0.256 in (6.5 mm) for wiring socket DRSED.
- (N) Input / Output terminals screw M3 Combo Drive for socket DRSED.

Wiring Diagram (H,J)

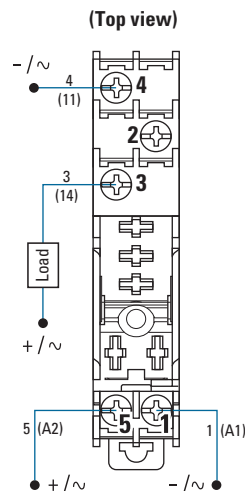
RELAY (K,L)
Part no.: ED series



SOCKET
Part no.: PCBSED



SOCKET (M,N)
Part no.: DRSED



ED Series Accessories

DRSED



DIN Rail Mountable Socket

Part no.: DRSED
Fingersafe IP10 DIN rail mountable socket to mount ED series relays onto standard 35 mm DIN rail. Rated at 250 V AC/DC, 12 Amps. The DRSED includes M3 Combo screws.

PCBSED



PC Board Mountable Socket

Part no.: PCBSED
PC Board mountable socket for ED series relays. Rated at 250 V AC/DC, 12 Amps. Suggested Pin-out hole diameter: 1.0 mm

Questions?
Call or e-mail:

America Tel.: +1 (877) 502 5500
e-mail: sales@crydom.com

EMEA Tel.: +44 (0) 1202 606030
e-mail: sales-europe@crydom.com

Asia Tel.: +86 (0) 21 2401 7766
e-mail: sales-cn@crydom.com



ED Series DC Output Pluggable SSRs

- 12 x 29 mm industry standard plug-in package
- 5 Amps output power rating
- 5 to 15 VDC, 18 to 32 VDC, 48 to 72 VDC, 18 to 36 VAC & 90 to 140 VAC control input options available
- Plug in replacement of EMRs
- Convenient Quick Connect terminals for PCB or direct wiring
- Fits standard DIN rail & PCB mountable sockets, also available as accessories
- UL & IEC Resistive/Motor Ratings available
- LED input status indicator

Output Specifications (A)

	ED06x5	ED10x5			
Absolute maximum operating voltage [VDC]	60	100			
Rated Voltage [VDC]	1-48	1-80			
	EDxxD5	EDxxC5	EDxxF5	EDxxE5	EDxxB5
Maximum Off-State Leakage Current @ Rated Voltage [μ A]			20 (P)		
Maximum Load Current [A]			5		
Minimum Load Current [A]			0.1		
Maximum Surge Current (10ms) [ADC]			60 (Q)		
Maximum On-State Voltage Drop @ 40°C Rated Current [VDC]			\leq 0.3		
Maximum On-State Resistance (RDS-ON) [Ohm]			0.034 (R)		
Maximum PWM (Hz)	500	500	500	N/A	N/A
UL 508 Resistive Load @ Rated Voltage [A]	5	5	5	5	5
UL 508 Motor Controller @ Rated Voltage [FLA]	2	2	2	1.5	1.5
IEC 60947-4-1 DC-1 @ Rated Voltage [ADC]	5	5	5	5	5
IEC 60947-4-1 DC-3 @ Rated Voltage [FLA]	5	5	5	5	5

Input Specifications (A)

	EDxxD5	EDxxC5	EDxxF5	EDxxE5	EDxxB5
Control Voltage Range	5-15 VDC	18-32 VDC	48-72 VDC	18-36 VAC	90-140 VAC
Minimum Turn-On Voltage	5 VDC	18 VDC	48 VDC	18 VAC	90 VAC
Must Turn-Off Voltage	1.3 VDC	2.0 VDC	4.0 VDC	4.0 VAC	11 VAC
Maximum Reverse Voltage [VDC]			3		
Minimum Input Current (for on-state)	11 mA @ 5 VDC	10.7 mA @ 18 VDC	10.8 mA @ 48 VDC	12 mA @ 18 VAC	7.3 mA @ 90 VAC
Maximum Input Current	42.8 mA @ 15 VDC	19.7 mA @ 32 VDC	16.3 mA @ 72 VDC	25.3 mA @ 36 VAC	10.9 mA @ 140 VAC
Nominal Input Impedance [Ohm]	350	1.6 K	4.4 K	1.5 K	12.5 K
Maximum Turn-On Time [msec]			0.6		
Maximum Turn-Off Time [msec]			0.3		

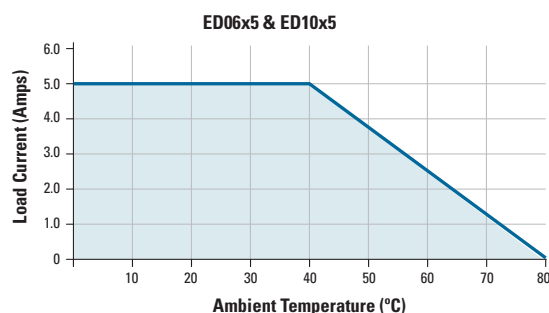
General Specifications (A)

	EDxxD5	EDxxC5	EDxxF5	EDxxE5	EDxxB5
Dielectric Strength, Input/Output/Base (50/60Hz) [Vrms]			2500		
Minimum Insulation Resistance @ 500 VDC			10^9		
Maximum Capacitance, Input/Output [pF]			10		
Ambient Operating Temperature Range [°C]			-30 to 80		
Ambient Storage Temperature Range [°C]			-40 to 125		
Housing Material			PBT 30% GF, UL 94 V0		
Terminal Finish			Sulfamate Nickel		
IP ratings			IP00 / IP10 when mounted in PCBSED / DRSED socket or equivalent		
LED Status Indicator for Control Input			On: Green		
Weight (typical) [oz] (gr)	0.705 (20)	0.705 (20)	0.705 (20)	1.06 (30)	1.06 (30)
Humidity			5 to 85% HR		
Terminal type / size [in] (mm)			Quick Connect / 0.187 x 0.020 (4.75 x 0.51)		

General Notes

- (A) All parameters at 25°C unless otherwise specified.
- (P) Output Voltage is Maximum Operating Voltage, Control Voltage = 0 V, $T_j = 25^\circ\text{C}$
- (Q) Output Voltage = 2.5 VDC
- (R) At maximum load current
- (S) UL ratings are for relays only. To achieve maximum ratings, there must be a minimum spacing of 0.63 in (≥ 16 mm) between the devices in free air
- (F) 100% Duty Cycle

Derating Curves (S,F)



crydom®

AMERICA



United States & Canada

Crydom Inc
2320 Paseo de las Americas,
Suite 201
San Diego, CA 92154

Sales Support:
Tel.: +1 (877) 502 5500
Fax: +1 (619) 210 1590
sales@crydom.com

Technical Support:
Tel.: +1 (877) 702 7700
support@crydom.com

Mexico

**Automatismo Crouzet
S.A. de C.V.**
Calzada Zavaleta 2505-C Col
Sta Cruz Buenavista C.P.
72150 - Puebla

Sales Support:
Toll free: 01 800 087 6333
Tel.: +52 (222) 409 7000
Fax: +52 (222) 409 7810
sales-mx@crydom.com

Technical Support:
Toll free: 01 800 838 3736

Southern & Central American Countries CST Latinoamerica

Alameda Rio Negro, 1030,
18º andar – Conjunto 1803
CEP: 06454-000
Barueri - São Paulo
Brasil

Tel.: +55 (11) 2505 7500

Fax: +55 (11) 2505 7507

info@cst-latinoamerica.com

EUROPE, MIDDLE EAST & AFRICA



United Kingdom

Crydom SSR Ltd
Arena Business Centre
Holyrood, Close
Poole, Dorset BH17 7FJ

Sales Support
Tel.: +44 (0) 1202 606030
Fax: +44 (0) 1202 606035
sales-europe@crydom.com

Tech Support
support-europe@crydom.com

Austria & Switzerland

Tel.: +44 (0) 1202 606030
Fax: +44 (0) 1202 606035
vertrieb@crydom.com

Belgium

Tel.: +32 (0) 2 460 4413
Fax: +32 (0) 2 461 2614
sales-europe@crydom.com

France

Tel.: +33 (0) 810 123 963
Fax: +33 (0) 810 057 605
sales-europe@crydom.com

Germany

Tel.: +49 (0) 180 3000 506
Fax: +49 (0) 180 3205 227
vertrieb@crydom.com

Italy

Tel.: +39 (0) 2 665 99 260
Fax: +39 (0) 2 665 99 268
sales-europe@crydom.com

Spain

Tel.: +34 902 876 217
Fax: +34 902 876 219
sales-europe@crydom.com

Netherlands

Tel.: +31 (0) 71 582 0068
Fax: +31 (0) 71 542 1648
sales-europe@crydom.com

Middle East, Africa & Other European Countries

Tel.: +44 (0) 1202 606030
Fax: +44 (0) 1202 606035
sales-europe@crydom.com

ASIA PACIFIC



China & Hong Kong

**Custom Sensors &
Technologies Asia
(Shanghai) Ltd.**
13th floor
Chang Feng International
Tower
89 Yunling Road (East)
Putuo District
Shanghai, 200062

Sales Support
Tel.: +86 (0) 21 6065 6699
Fax: +86 (0) 21 6065 7749
sales-cn@crydom.com

Tech Support
support-cn@crydom.com

Taiwan

**Custom Sensors &
Technologies**
2F, No. 39, Ji-Hu Road
Nei-Hu Dist.
Taipei 114
Tel: +886 2 8751 6388
Fax: +886 2 2657 8725
taiwan@cstsensors.com

South Korea

**Custom Sensors &
Technologies**
2F, Jeil Bldg.,
94-46 Youngdeungpo-dong
7-ga Youngdeungpo-gu,
Seoul, 150-037
Tel.: +82 2 2629 8312
Fax: +82 2 2629 8310
korea@cstsensors.com

India

CST Sensors India Pvt Ltd
Unit 1301 and 1302 Prestige
Meridian II
30 M.G.Road,
Bangalore-560001
Tel: +91 (80) 4113 2204/05
Fax: +91 (80) 4113 2206
india@cstsensors.com

South East Asian & Pacific Countries

**Custom Sensors &
Technologies**
2F, No. 39, Ji-Hu Road
Nei-Hu Dist.
Taipei 114, Taiwan
Tel.: +886 2 8751 6388
Fax: +886 2 2657 8725
eap@cstsensors.com

