

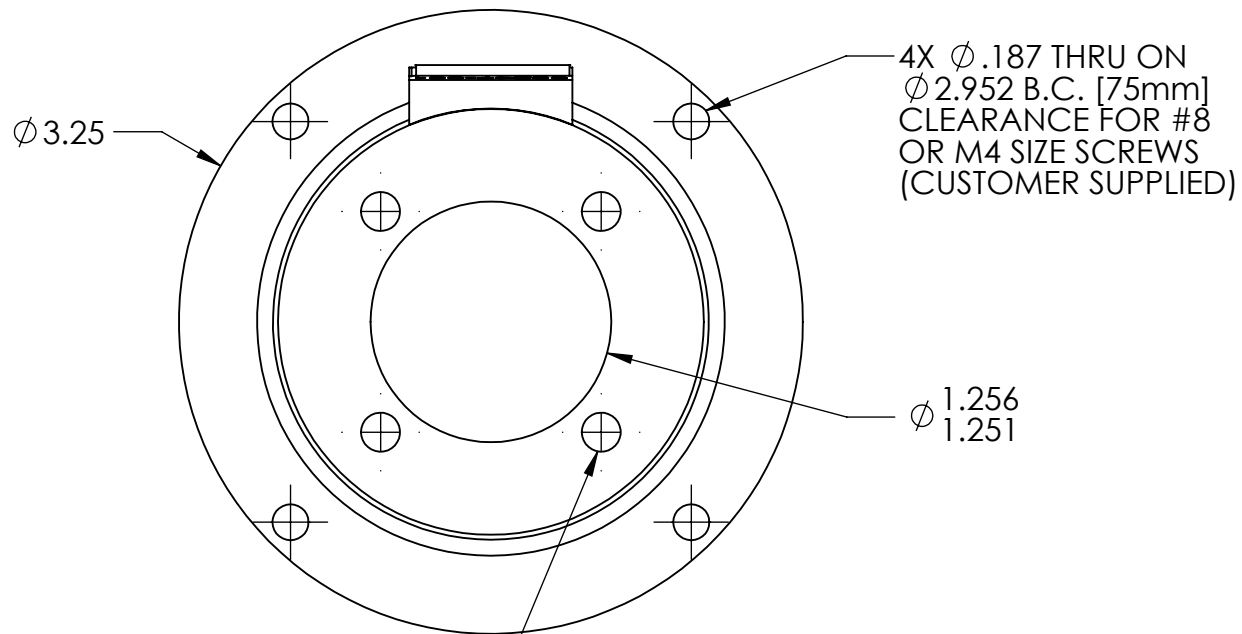
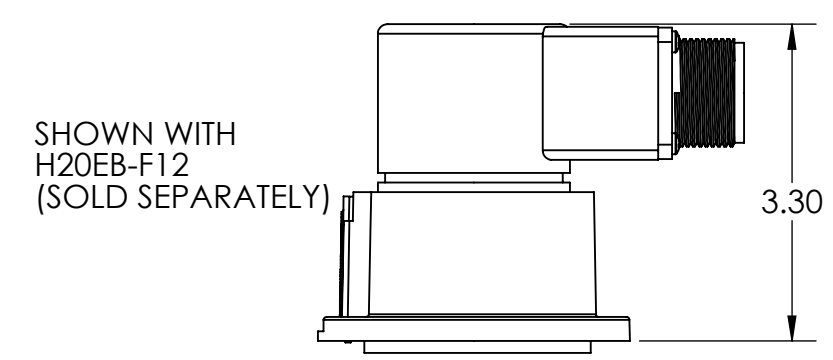
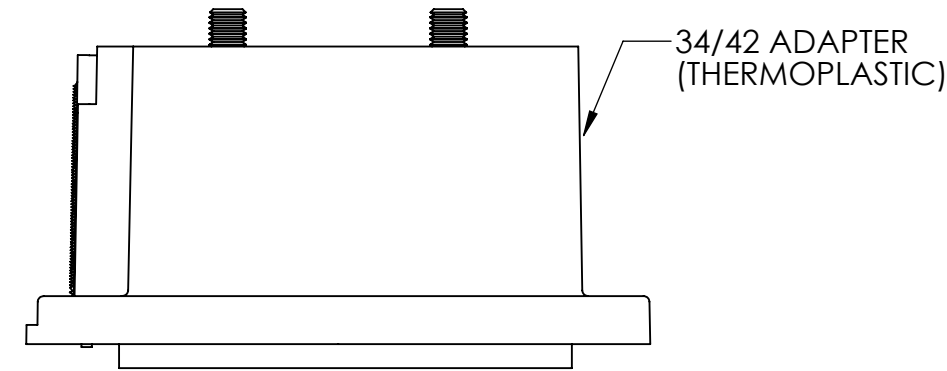
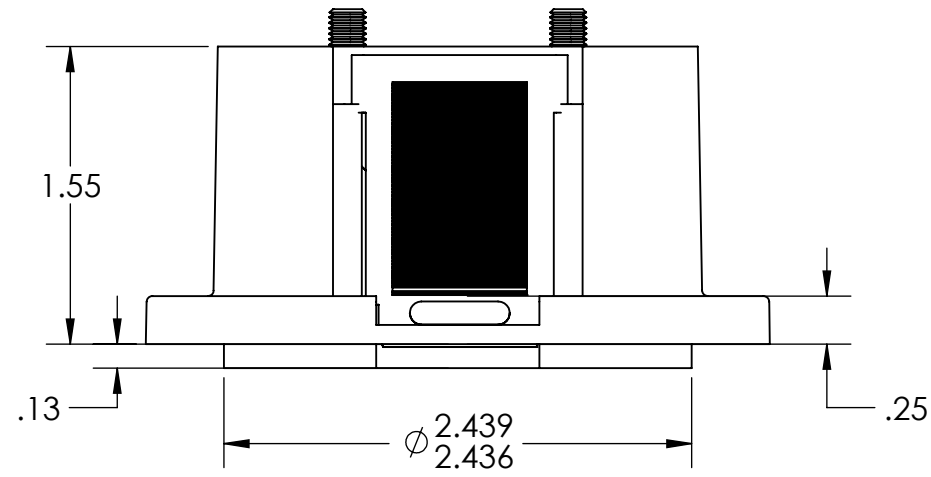
4

3

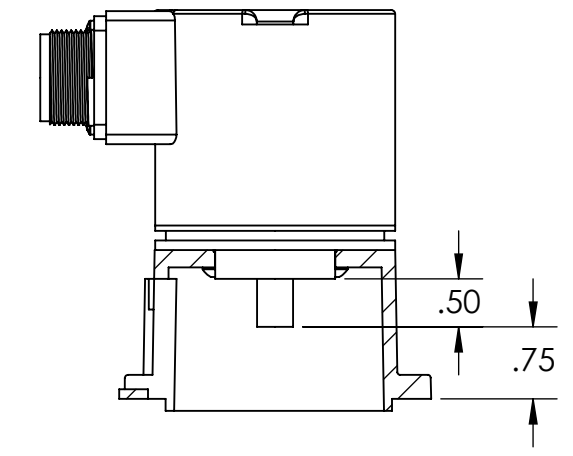
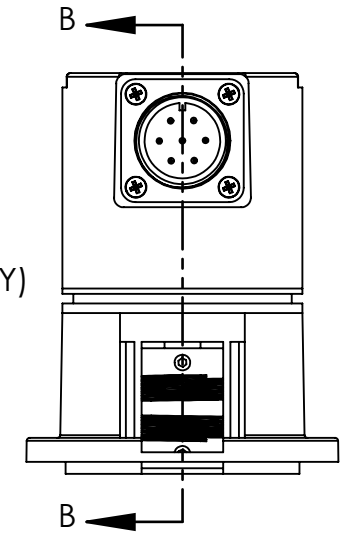
2

1

ZONE	REV.	REVISION DESCRIPTION	ECN NO.	DATE



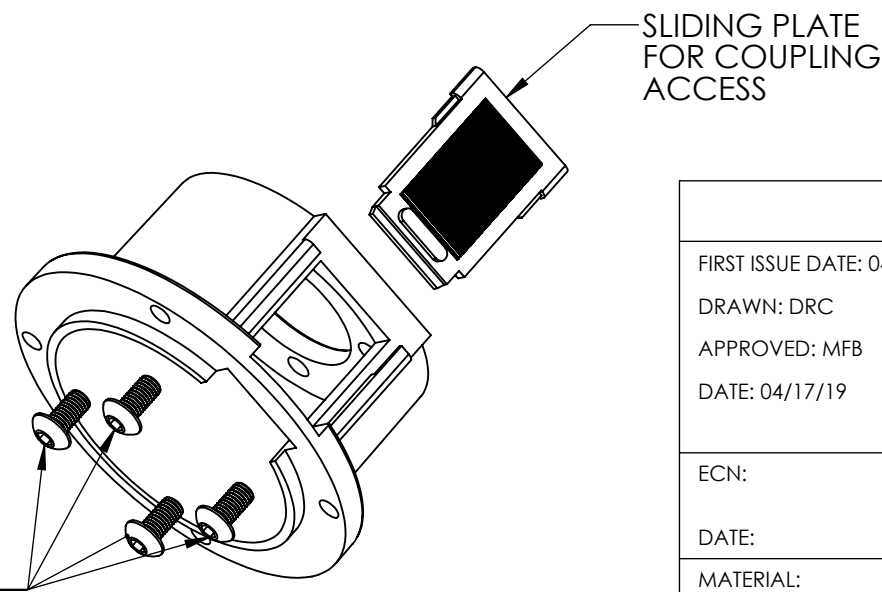
SHOWN WITH H25E-F45 AND COUPLING (SOLD SEPARATELY)



4X ϕ .203 THRU ON ϕ 1.875 B.C. (FITS H25E WITH F45 AND H20E WITH F12)

KIT INCLUDES:
34/42 ADAPTER, SCREWS
AND ACCESS PLATE

4X #10-32 X 3/8
BUTTON HEAD
SCREWS (1/8 HEX)



NOTE: USE ENCODER WITH .50 SHAFT EXTENSION FOR PROPER CLEARANCE

UNCONTROLLED COPY

FIRST ISSUE DATE: 04/17/19
DRAWN: DRC
APPROVED: MFB
DATE: 04/17/19
ECN:
DATE:
MATERIAL:
THERMOPLASTIC,
CRES STEEL

SENSATA TECHNOLOGIES PROPRIETARY AND CONFIDENTIAL. NEITHER THIS PRINT NOR THE INFORMATION CONTAINED HEREON IS TO BE USED AGAINST THE INTERESTS OF SENSATA TECHNOLOGIES OR AGAINST THE INTERESTS OF ANY OF ITS AFFILIATED COMPANIES OR WHOLLY OWNED SUBSIDIARIES.
INTERPRET DIMENSIONING AND TOLERANCING PER ASME Y14.5-2009. UNLESS OTHERWISE SPECIFIED DIMENSIONS ARE IN INCHES [MILLIMETERS] AND ARE INTENDED AS NOMINAL SEE PRODUCT SPECIFICATIONS FOR MORE DETAILS.
DO NOT SCALE DRAWING
THIRD ANGLE PROJECTION

Sensata Technologies BEI SENSORS
1461 LAWRENCE DRIVE
THOUSAND OAKS, CA 93120

TITLE P/N 31170-001 NEMA 34/42 MOTOR ADAPTER KIT FOR H20/H25		
SIZE B	DWG NO. 09908-001	REV. .
SCALE 1:1	SOLIDWORKS	SHEET 1 OF 2

4

3

2

1

DEVICE: PROJECT:

4

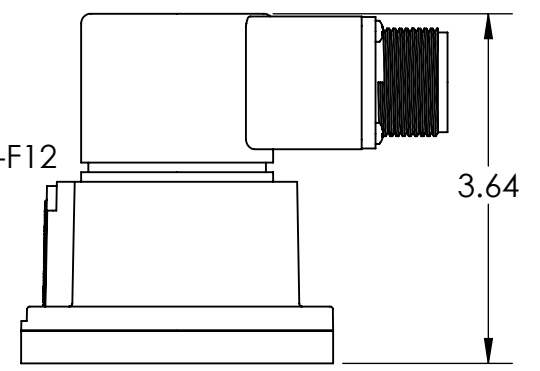
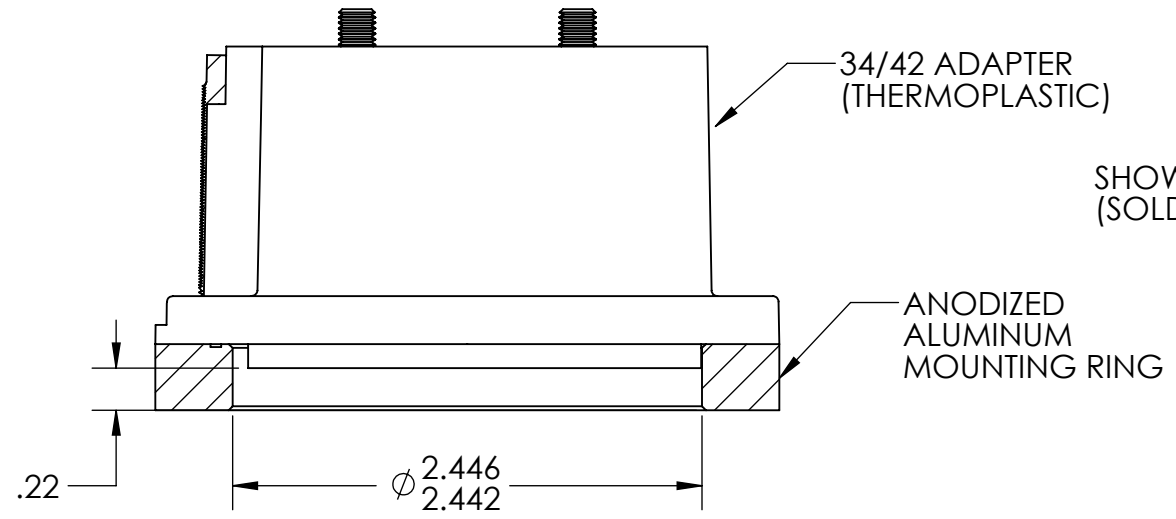
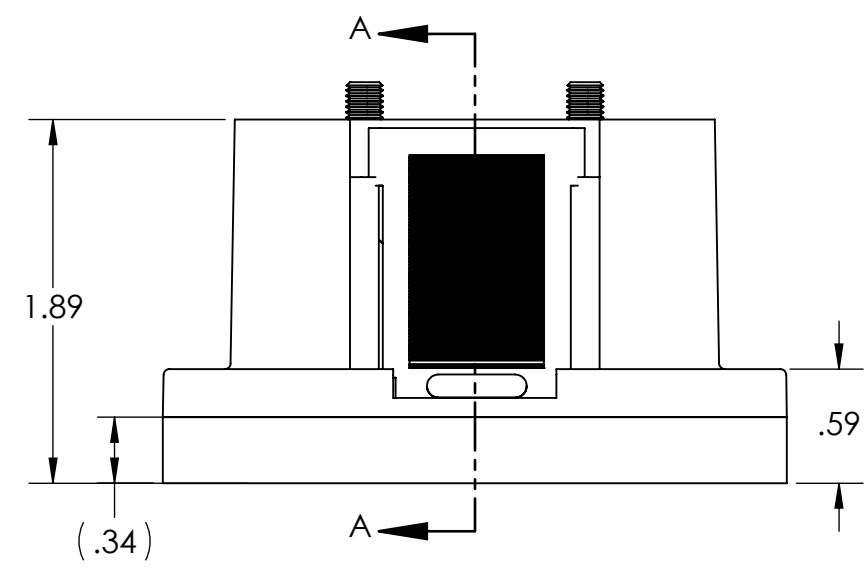
3

2

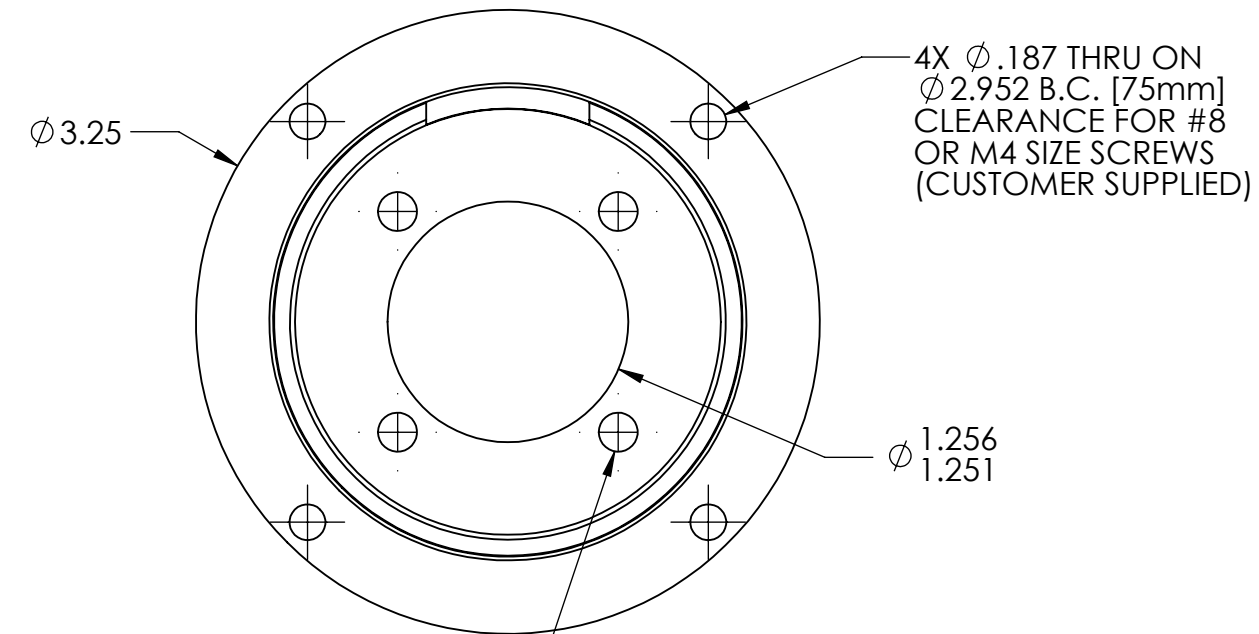
1

ZONE	REV.	REVISION DESCRIPTION	ECN NO.	DATE

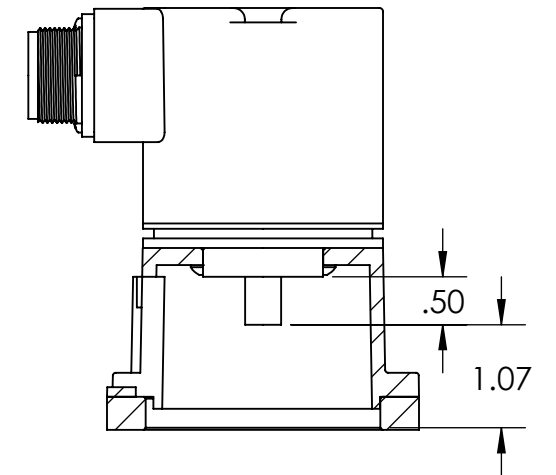
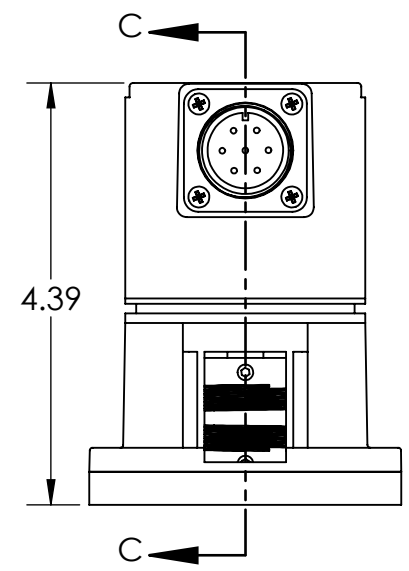
D



C



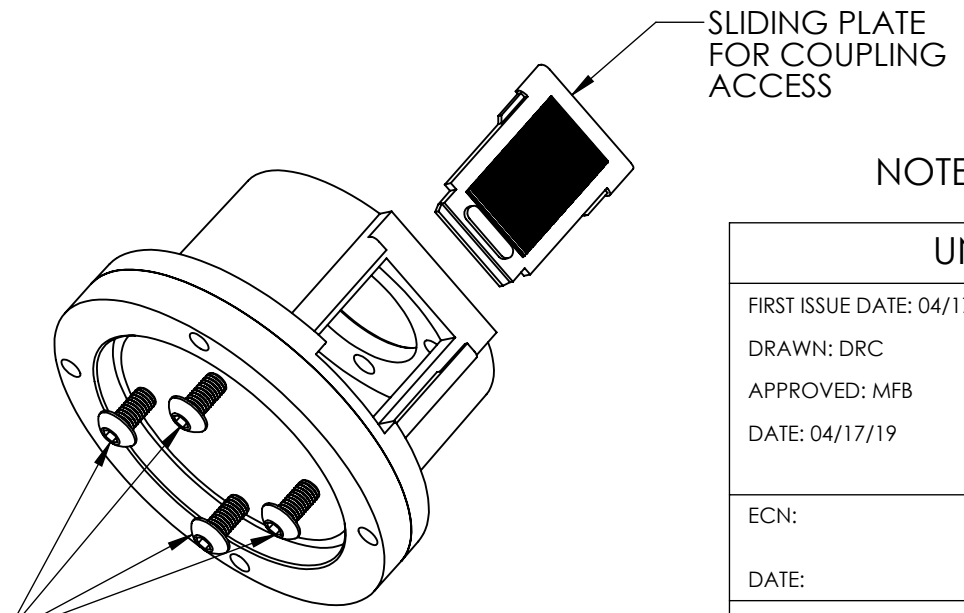
SHOWN WITH H25E-F45 AND COUPLING (SOLD SEPARATELY)



B

4X $\phi .203$ THRU ON $\phi 1.875$ B.C. (FITS H25E WITH F45 AND H20E WITH F12)

4X #10-32 X 3/8 BUTON HEAD HEX SOCKET (1/8 HEX)



NOTE: USE ENCODER WITH .50 SHAFT EXTENSION FOR PROPER CLEARANCE

A

KIT INCLUDES: 34/42 ADAPTER, ADAPTOR RING, ACCESS PLATE AND SCREWS

UNCONTROLLED COPY			
FIRST ISSUE DATE: 04/17/19	SENSATA TECHNOLOGIES PROPRIETARY AND CONFIDENTIAL. NEITHER THIS PRINT NOR THE INFORMATION CONTAINED HEREON IS TO BE USED AGAINST THE INTERESTS OF SENSATA TECHNOLOGIES OR AGAINST THE INTERESTS OF ANY OF ITS AFFILIATED COMPANIES OR WHOLLY OWNED SUBSIDIARIES.	BEI SENSORS 1461 LAWRENCE DRIVE THOUSAND OAKS, CA 93120	
DRAWN: DRC		TITLE P/N 31170-003 NEMA 34/42 MOTOR ADAPTER FOR H20/H25	
APPROVED: MFB	INTERPRET DIMENSIONING AND TOLERANCING PER ASME Y14.5-2009. UNLESS OTHERWISE SPECIFIED DIMENSIONS ARE IN INCHES [MILLIMETERS] AND ARE INTENDED AS NOMINAL SEE PRODUCT SPECIFICATIONS FOR MORE DETAILS.	SIZE	DWG NO.
DATE: 04/17/19		B	09908-001
ECN:	DO NOT SCALE DRAWING	THIRD ANGLE PROJECTION	
DATE:		SCALE 1:1	SOLIDWORKS
MATERIAL: THERMOPLASTIC; CRES STEEL; ANODIZED ALUMINUM		PROJECT:	1

4

3

2

1

D

C

B

A