

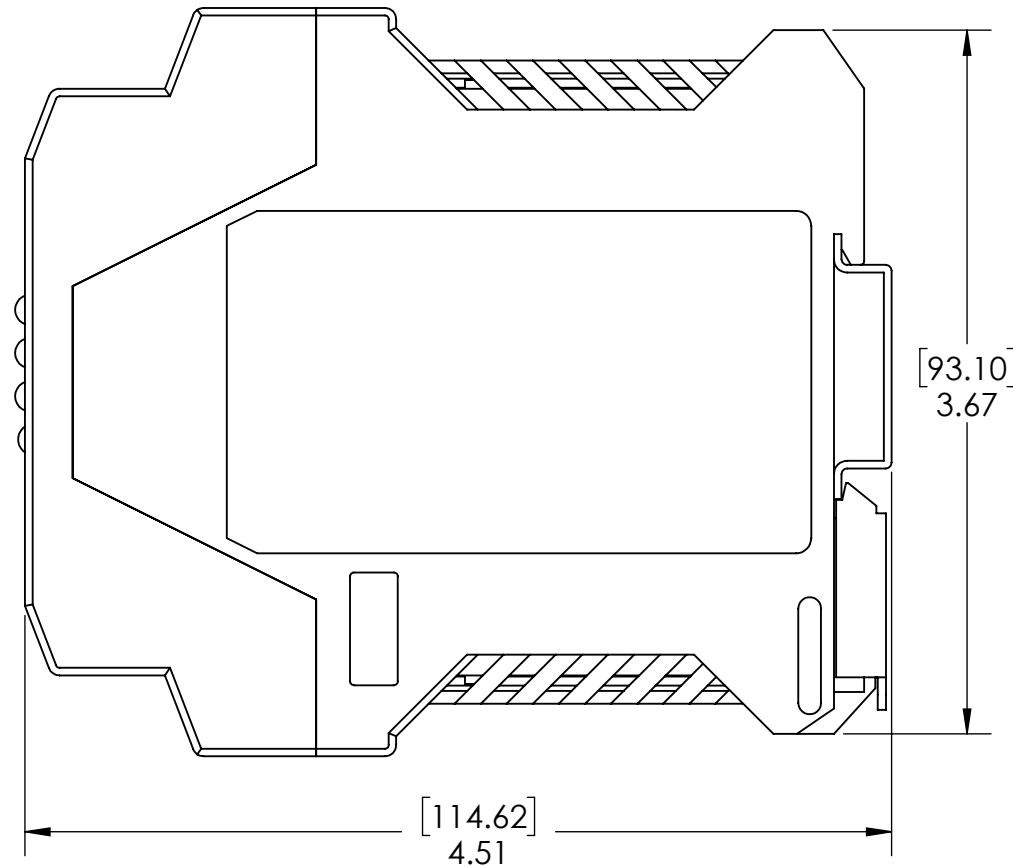
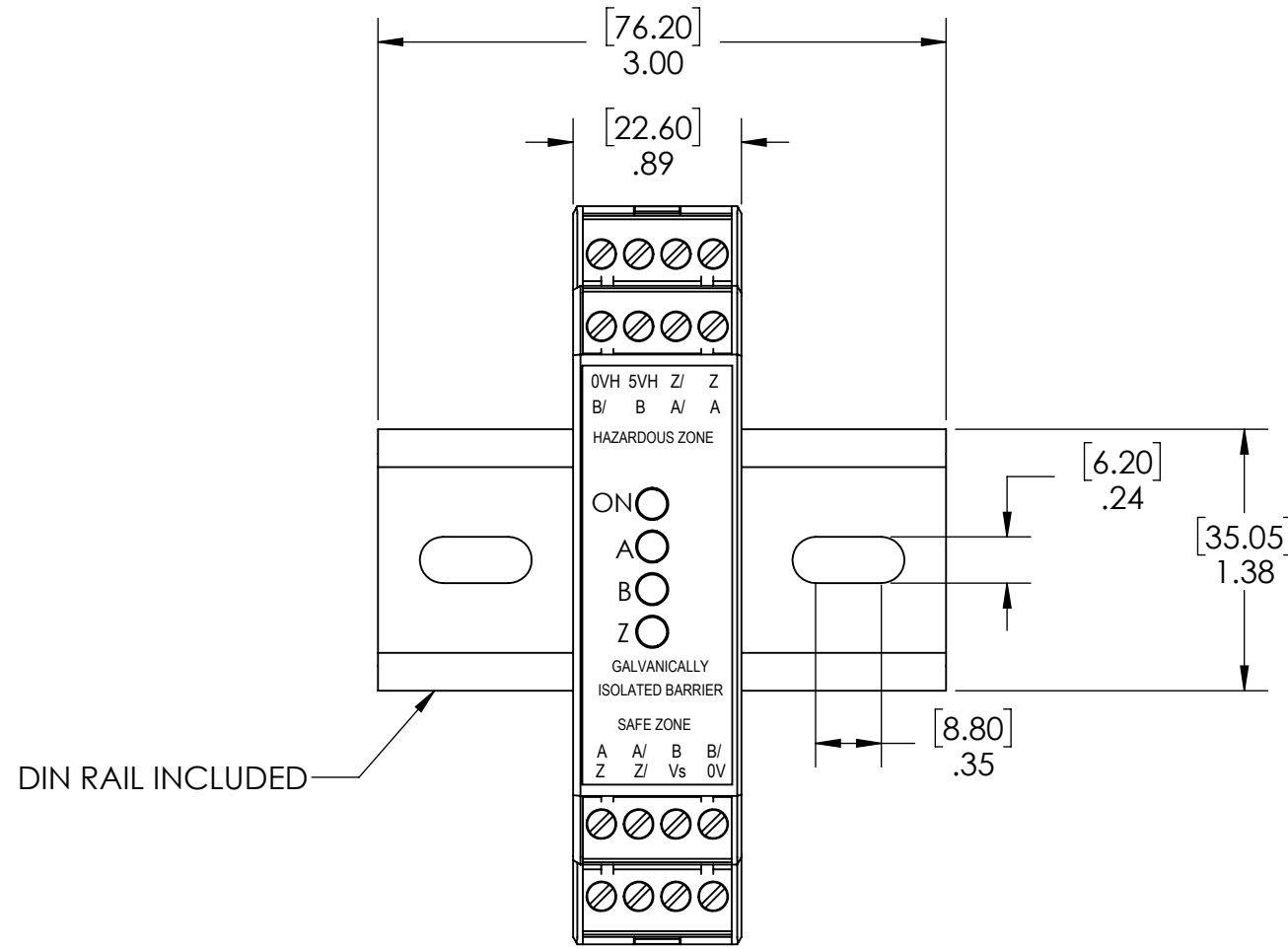
4

3

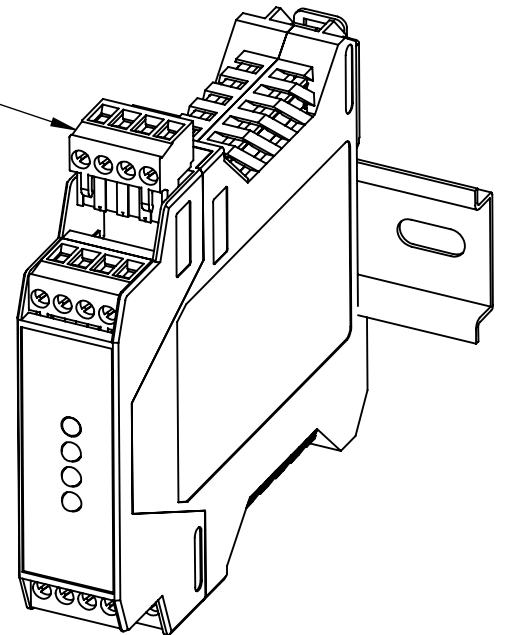
2

1

ZONE	REV.	REVISION DESCRIPTION	ECN NO.	DATE




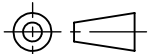
ALL TERMINAL BLOCKS ARE REMOVABLE FOR EASY INSTALLATION



APPLICATION NOTES:

- FOR USE WITH INTRINSICALLY SAFE ENCODERS
- TRIPLE CERTIFIED; cULus, ATEX, IECEx

- NOTES (UNLESS OTHERWISE INDICATED)
- ORDER PART NUMBER 60004-XXX
 - USE DATA SHEET 02142-001 FOR MODEL NUMBER CONFIGURATION
 - SEE SYSTEM DIAGRAM 08067-003 FOR IMPORTANT SAFETY RELATED INFORMATION

UNCONTROLLED COPY		 BEI SENSORS 1461 LAWRENCE DRIVE THOUSAND OAKS, CA 93120	
FIRST ISSUE DATE: 05/08/19	SENSATA TECHNOLOGIES PROPRIETARY AND CONFIDENTIAL. NEITHER THIS PRINT NOR THE INFORMATION CONTAINED HEREON IS TO BE USED AGAINST THE INTERESTS OF SENSATA TECHNOLOGIES OR AGAINST THE INTERESTS OF ANY OF ITS AFFILIATED COMPANIES OR WHOLLY OWNED SUBSIDIARIES.	TITLE INTRINSIC SAFETY BARRIER	
DRAWN: DRC		INTERPRET DIMENSIONING AND TOLERANCING PER ASME Y14.5-2009. UNLESS OTHERWISE SPECIFIED DIMENSIONS ARE IN INCHES[MILLIMETERS] AND ARE INTENDED AS NOMINAL SEE PRODUCT SPECIFICATIONS FOR MORE DETAILS.	
APPROVED: MFB			
DATE: 05/08/19	DO NOT SCALE DRAWING	THIRD ANGLE PROJECTION	
ECN:	MATERIAL: GLASS EPOXY, POLY-PLASTIC, STEEL	SIZE B	DWG NO. 09921-001
DATE:		SCALE 1:2	SOLIDWORKS
		SHEET 1 OF 1	REV. .

4

3

2

1

DEVICE:

PROJECT: