

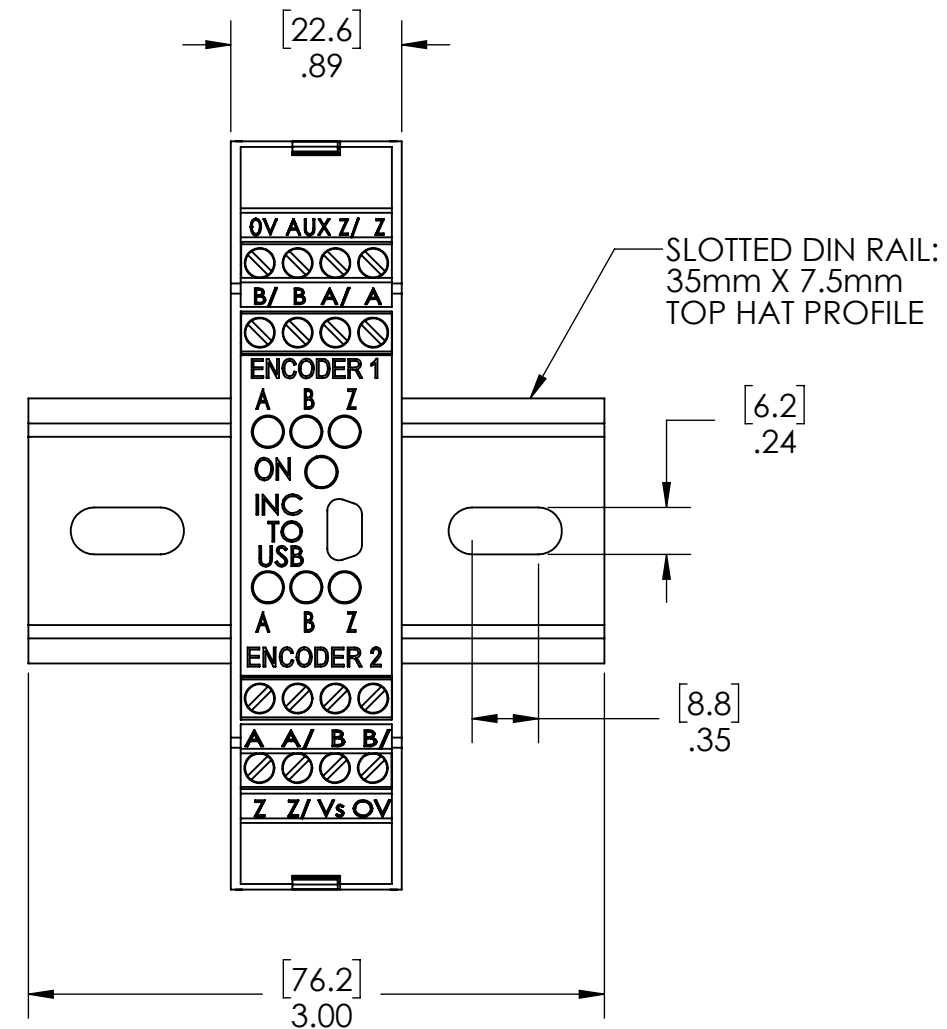
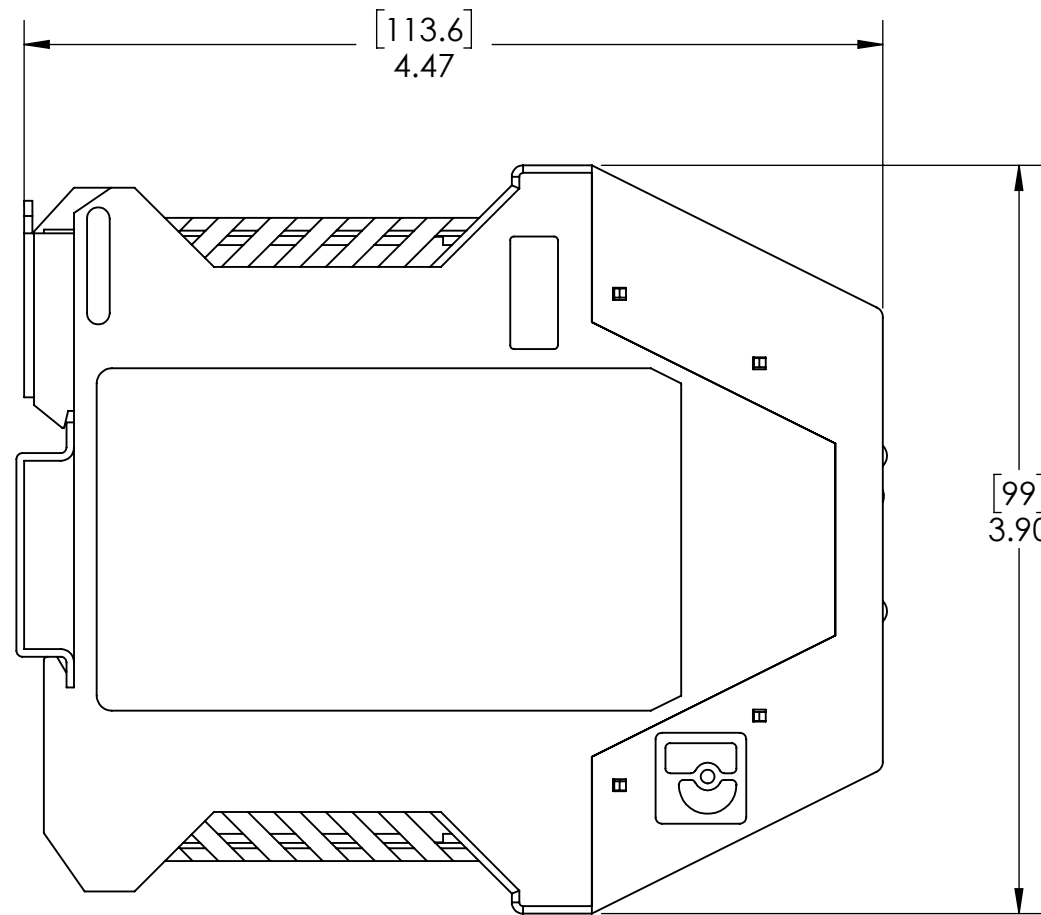
4

3

2


1

ZONE	REV.	REVISION DESCRIPTION	ECN NO.	DATE
	.	.	.	.



NOTES:

1. TYPICAL MODEL NO. EM-DR1-QS-VDC-TB-USB
2. TYPICAL PART NO. 60013-TAB
3. SEE DATA SHEET 02109-001 FOR MODEL AND INSTALLATION DETAILS
4. 3 METER USB-MINI TO USB CABLE INCLUDED

UNCONTROLLED COPY		 BEI SENSORS 1461 LAWRENCE DRIVE THOUSAND OAKS, CA 93120	
FIRST ISSUE DATE: 05/06/19	SENSATA TECHNOLOGIES PROPRIETARY AND CONFIDENTIAL. NEITHER THIS PRINT NOR THE INFORMATION CONTAINED HEREON IS TO BE USED AGAINST THE INTERESTS OF SENSATA TECHNOLOGIES OR AGAINST THE INTERESTS OF ANY OF ITS AFFILIATED COMPANIES OR WHOLLY OWNED SUBSIDIARIES.	TITLE <b>DUAL ENCODER USB CONVERTER FOR INCREMENTAL ENCODER</b>	
DRAWN: DRC		SIZE <b>B</b>	DWG NO. <b>09924-001</b>
APPROVED: MFB	INTERPRET DIMENSIONING AND TOLERANCING PER ASME Y14.5-2009. UNLESS OTHERWISE SPECIFIED DIMENSIONS ARE IN INCHES [MILLIMETERS] AND ARE INTENDED AS NOMINAL SEE PRODUCT SPECIFICATIONS FOR MORE DETAILS.	SCALE 1:1 SOLIDWORKS SHEET 1 OF 2	
DATE: 05/06/19		DO NOT SCALE DRAWING THIRD ANGLE PROJECTION	
ECN:	MATERIAL: GLASS EPOXY, POLY-PLASTIC, STEEL	PROJECT: 1	
DATE:		DEVICE: 2	

4

3

2

1

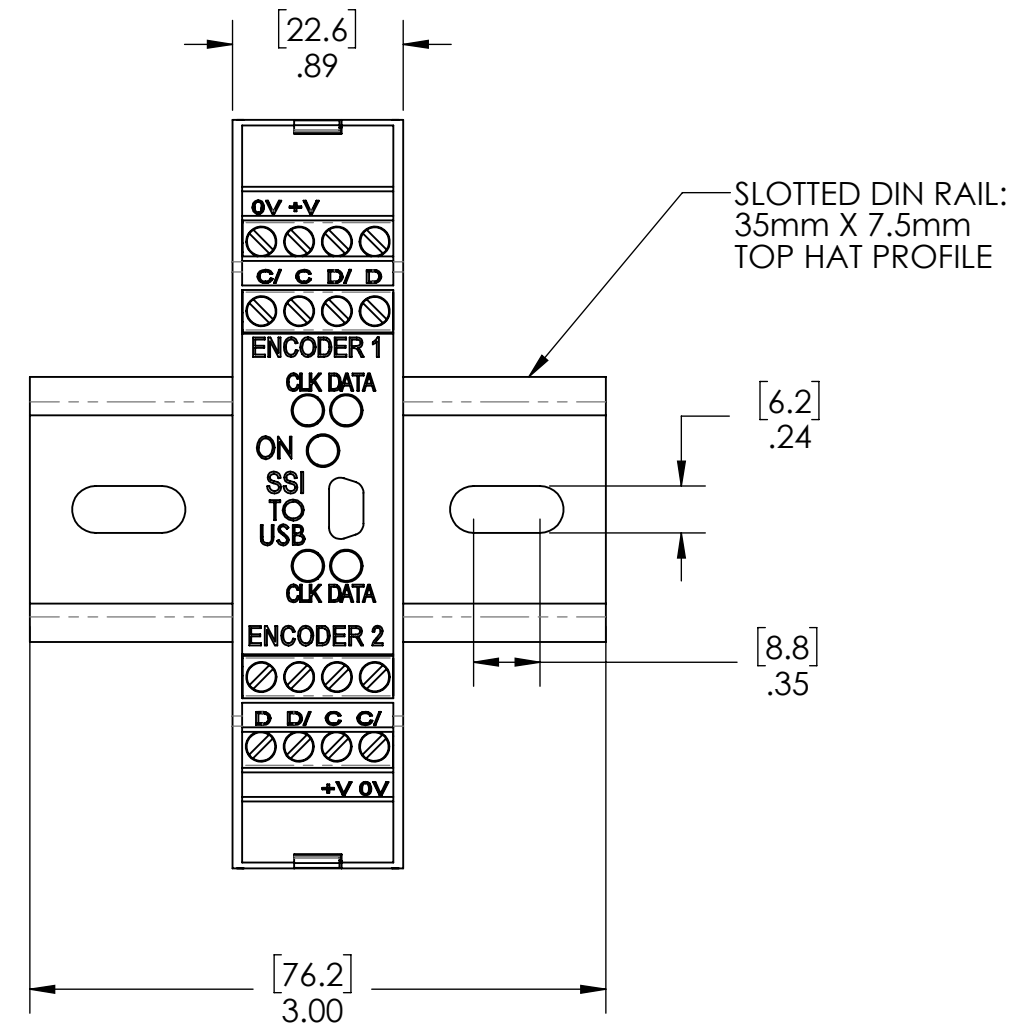
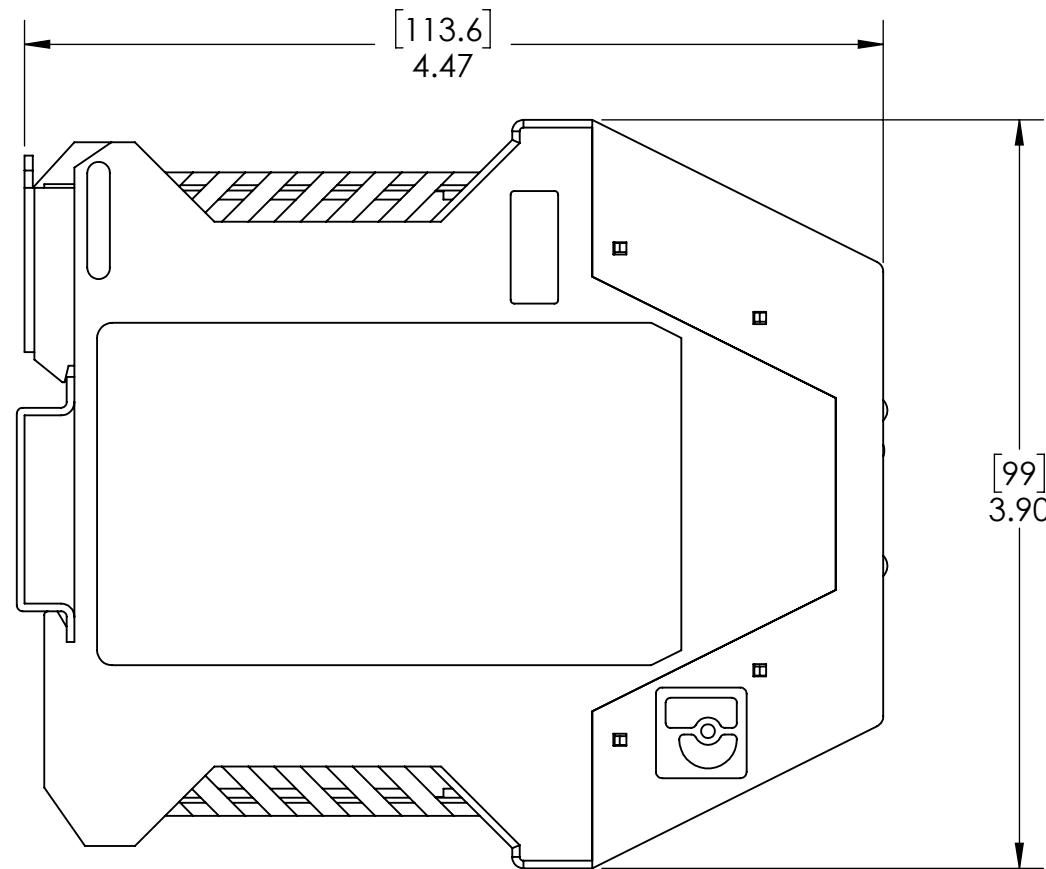
4

3

2


1

ZONE	REV.	REVISION DESCRIPTION	ECN NO.	DATE
	.	.	.	.



NOTES:

1. TYPICAL MODEL NO. EM-DR1-SS-S3-TB-USB
2. TYPICAL PART NO. 60013-TAB
3. SEE DATA SHEET 02109-001 FOR MODEL AND INSTALLATION DETAILS
4. 3 METER USB-MINI TO USB CABLE INCLUDED

<b>UNCONTROLLED COPY</b>		 BEI SENSORS 1461 LAWRENCE DRIVE THOUSAND OAKS, CA 93120	
FIRST ISSUE DATE: 05/08/19 DRAWN: MFB APPROVED: DRC DATE: 05/08/19	SENSATA TECHNOLOGIES PROPRIETARY AND CONFIDENTIAL. NEITHER THIS PRINT NOR THE INFORMATION CONTAINED HEREON IS TO BE USED AGAINST THE INTERESTS OF SENSATA TECHNOLOGIES OR AGAINST THE INTERESTS OF ANY OF ITS AFFILIATED COMPANIES OR WHOLLY OWNED SUBSIDIARIES.		TITLE <b>DUAL ENCODER USB CONVERTER FOR ABSOLUTE ENCODERS</b>
ECN:  DATE:	INTERPRET DIMENSIONING AND TOLERANCING PER ASME Y14.5-2009. UNLESS OTHERWISE SPECIFIED DIMENSIONS ARE IN INCHES[MILLIMETERS] AND ARE INTENDED AS NOMINAL SEE PRODUCT SPECIFICATIONS FOR MORE DETAILS.		SIZE DWG NO. REV. <b>B 09924-001 .</b>
MATERIAL: GLASS EPOXY, POLY-PLASTIC, STEEL	DO NOT SCALE DRAWING	THIRD ANGLE PROJECTION	SCALE 1:1 SOLIDWORKS SHEET 2 OF 2

4

3

2

1

DEVICE: PROJECT: